



INTEGRA
"Electrical Kits for Elevators"



MONADRIVE®

MONA450

PMS GEARLESS TRACTION MACHINE

Tüm ürünler için;
For all products;

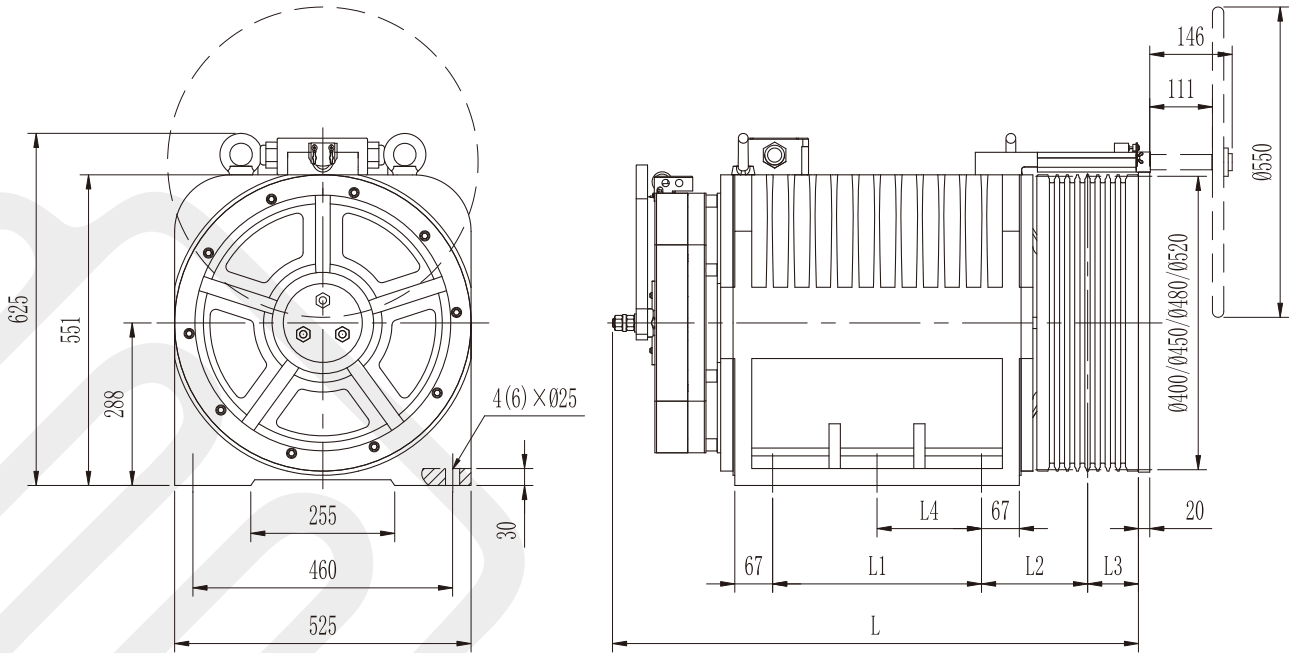


• Gerilim Voltage	380V
• Yük Load	(2000~3500)kg
• Kasnak Çapı Sheave Diam.	(Φ 400/ Φ 450/ Φ 480/ Φ 520)mm
• Dış Yüzey Koruma Seviyesi Shell Protection Grade	IP41
• Statik Yük Max. Axle Load	12000kg

• Askı Tipi Roping	2:1
• Asansör Hızı Elev. Speed	(1.0~3.0)m/s
• Çalışma S. / Saatlik Baş. Say. Duty / Starts Per Hour	S5-40%
• Denetim Sınıfı Ins. Grade	F
• Ağırlık Weight	930kg

🌀 Fren Tipi | Brake Type **EMM2K** Gerilim | Voltage / Akım | Current **DC207V / 2x0.71A (Türkiye Stok)**

BOYUTLAR | DIMENSIONS



INTEGRA ASANSÖR SAN. VE TİC. LTD. ŞTİ.

📍 Şerifali Mh. Beyit Sk. No:60 - 34775 Ümraniye / İSTANBUL

☎ +90 216 415 00 27

✉ info@liftintegra.com

🌐 www.liftintegra.com



INTEGRA

"Electrical Kits for Elevators"



ÖZELLİK TABLOSU | SPEC. SHEET

Tip Type	MONA450															
Özellikler Spec.	Yük Load	Asn. Hızı Elv. Speed	Kasnak Çapı Sheave Diam.	Kasnak Oluğu Sheave Groove	Akım Current	Güç Power	Hız Speed	Frekans Freq.	Tork Torque	Kutup Poles	L	L1	L2	L3	L4	β Açısı β Angle
	kg	m/s	mm		A	kW	r/min	Hz	N-m		mm	mm	mm	mm	mm	°
2000-1.0	2000	1.0	400	9×Φ10×15	29	12.9	95	25.3	1300	32	665	144	195	81.5	/	
2000-2.0	2000	2.0		9×Φ10×15	55	26.0	191	50.9	1300	32						
2500-1.0	2500	1.0	400	10×Φ10×15	37	16.1	95	25.3	1620	32	740	194	195	81.5	/	
2500-2.0	2500	2.0		10×Φ10×15	70	32.4	191	50.9	1620	32						
2000-1.0	2000	1.0	450	8×Φ10×15	31	13.0	85	22.7	1460	32	680	194	160	65	/	
2000-1.5	2000	1.5		9×Φ10×15	43	19.4	127	33.9	1460	32						
2000-1.75	2000	1.75		9×Φ10×15	49	22.8	149	39.7	1460	32						
2000-2.0	2000	2.0		9×Φ10×15	56	26.0	170	45.3	1460	32						
2000-2.5	2000	2.5		9×Φ10×15	71	32.4	212	56.5	1460	32						
2500-1.0	2500	1.0		9×Φ10×15	37	16.3	85	22.7	1830	32						
2500-1.5	2500	1.5	450	9×Φ10×15	53	24.3	127	33.9	1830	32	750	254	172	77	127	
2500-1.75	2500	1.75		9×Φ10×15	62	28.6	149	39.7	1830	32						
2500-2.0	2500	2.0		9×Φ10×15	68	32.6	170	45.3	1830	32						
2500-2.5	2500	2.5		9×Φ10×15	83	40.6	212	56.5	1830	32						
2000-1.0	2000	1.0	480	7×Φ12×17	30	13.1	80	21.3	1560	32	700	194	180	85	/	
2000-1.5	2000	1.5		7×Φ12×17	43	19.4	119	31.7	1560	32						
2000-1.75	2000	1.75		7×Φ12×17	51	22.7	139	37.1	1560	32						
2000-2.0	2000	2.0		7×Φ12×17	54	26.0	159	42.4	1560	32						
2000-2.5	2000	2.5		8×Φ12×17	68	32.5	199	53.1	1560	32						
2000-3.0	2000	3.0		8×Φ12×17	81	39.0	239	63.7	1560	32						
2500-1.0	2500	1.0	480	8×Φ12×17	41	16.3	80	21.3	1950	32	750	254	180	85	127	
2500-1.5	2500	1.5		8×Φ12×17	53	24.3	119	31.7	1950	32						
2500-1.75	2500	1.75		8×Φ12×17	66	28.4	139	37.1	1950	32						
2500-2.0	2500	2.0		8×Φ12×17	70	32.5	159	42.4	1950	32						
2500-2.5	2500	2.5		8×Φ12×17	89	40.6	199	53.1	1950	32						
2500-3.0	2500	3.0		8×Φ12×17	99	48.6	220	58.7	1950	32						
2500-1.0	2500	1.0	520	7×Φ13×18	38	16.1	73	19.5	2110	32	766	254	188	90	127	105
2500-1.5	2500	1.5		7×Φ13×18	53	24.3	110	29.3	2110	32						
2500-1.75	2500	1.75		7×Φ13×18	61	28.5	129	34.4	2110	32						
2500-2.0	2500	2.0		7×Φ13×18	66	32.5	147	39.2	2110	32						
2500-2.5	2500	2.5		7×Φ13×18	88	40.7	184	49.1	2110	32						
2500-3.0	2500	3.0		7×Φ13×18	99	48.6	220	58.7	2110	32						
3000-1.0	3000	1.0	480	8×Φ12×17	42	19.6	80	21.3	2340	32	940	370	180	85	185	
3000-1.5	3000	1.5		8×Φ12×17	68	29.2	119	31.7	2340	32						
3000-1.75	3000	1.75		8×Φ12×17	71	34.1	139	37.1	2340	32						
3000-2.0	3000	2.0		9×Φ12×17	80	39.0	159	42.4	2340	32						
3000-2.5	3000	2.5		9×Φ12×17	98	48.8	199	53.1	2340	32						
3000-3.0	3000	3.0		9×Φ12×17	126	58.6	239	63.7	2340	32						
3000-1.0	3000	1.0	520	8×Φ13×18	45	19.3	73	19.5	2530	32	940	370	188	90	185	
3000-1.5	3000	1.5		8×Φ13×18	68	29.1	110	29.3	2530	32						
3000-1.75	3000	1.75		8×Φ13×18	71	34.2	129	34.4	2530	32						
3000-2.0	3000	2.0		8×Φ13×18	83	38.9	147	39.2	2530	32						
3000-2.5	3000	2.5		8×Φ13×18	101	48.7	184	49.1	2530	32						
3000-3.0	3000	3.0		8×Φ13×18	126	58.3	220	58.7	2530	32						
3500-1.0	3500	1.0	520	8×Φ13×18	50	21.4	73	19.5	2800	32	940	370	188	90	185	
3500-1.5	3500	1.5		8×Φ13×18	83	32.3	110	29.3	2800	32						
3500-1.75	3500	1.75		8×Φ13×18	83	37.8	129	34.4	2800	32						
3500-2.0	3500	2.0		8×Φ13×18	91	43.1	147	39.2	2800	32						
3500-2.5	3500	2.5		8×Φ13×18	115	53.9	184	49.1	2800	32						
3500-3.0	3500	3.0		8×Φ13×18	140	64.5	220	58.7	2800	32						

Notlar | Notes:

- 1) Makine, makine dairesiz kullanım için de uygundur. | The machine can also be used for machine roomless.
- 2) Fren bağlantı kutusu, karşıdan bakıldığında isteğe bağlı olarak sol veya sağ tarafa yerleştirilebilir. | Facing the brake junction box can be located on the left, right optionally.
- 3) Alt kesim açısı önerilen bir değerdir ve pratik koşullara göre isteğe bağlıdır. | The undercut angle is recommended value and it's optional according to practical condition.

INTEGRA ASANSÖR SAN. VE TİC. LTD. ŞTİ.

Şerifali Mh. Beyit Sk. No:60 - 34775 Ümraniye / İSTANBUL

+90 216 415 00 27

info@liftintegra.com

www.liftintegra.com