



**INTEGRA**  
"Electrical Kits for Elevators"



**MONADRIVE®**

**MONA400**

PMS GEARLESS TRACTION MACHINE

Tüm ürünler için;  
For all products;

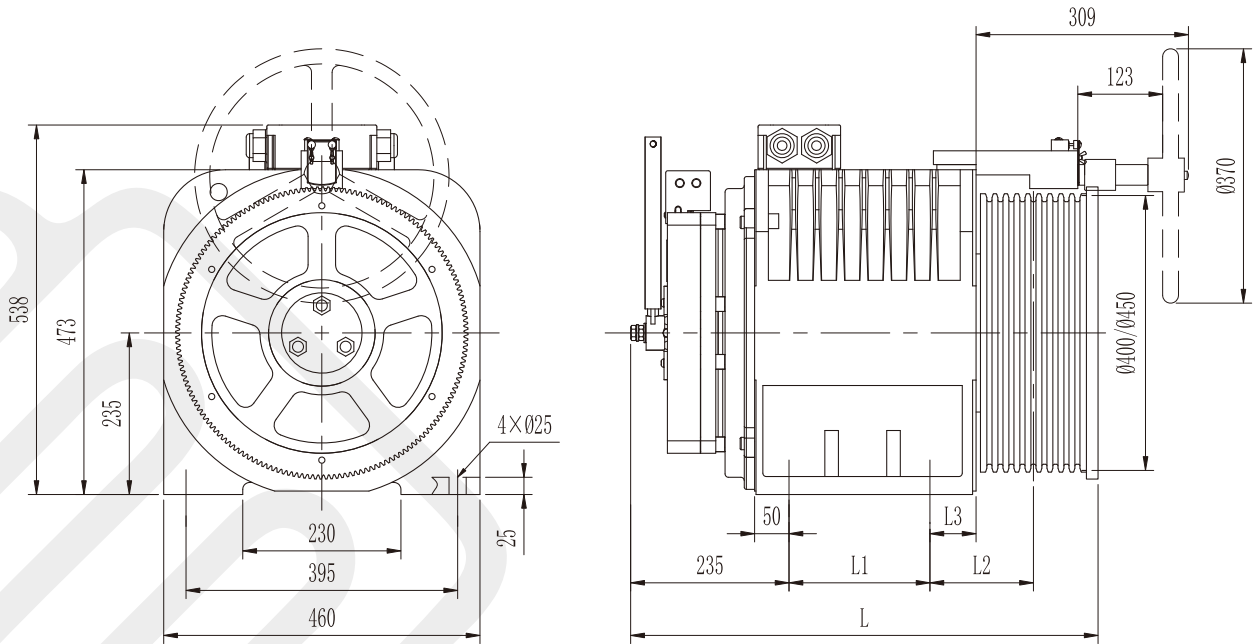


• Gerilim Voltage	380V
• Yük Load	(800~1600)kg
• Kasnak Çapı Sheave Diam.	Φ400mm/Φ450mm
• Dış Yüzey Koruma Seviyesi Shell Protection Grade	IP41
• Statik Yük Max. Axle Load	5500kg

• Askı Tipi Roping	2:1
• Asansör Hızı Elv. Speed	(1.0~2.5)m/s
• Çalışma S. / Saatlik Baş. Say. Duty / Starts Per Hour	S5-40%
• Denetim Sınıfı Ins. Grade	F
• Ağırlık Weight	420kg

☉ Fren Tipi | Brake Type **EMM1K** Gerilim | Voltage / Akım | Current **DC207V / 2x0.71A (Türkiye Stok)**

## BOYUTLAR | DIMENSIONS



**INTEGRA ASANSÖR SAN. VE TİC. LTD. ŞTİ.**

📍 Şerifali Mh. Beyit Sk. No:60 - 34775 Ümraniye / İSTANBUL

☎ +90 216 415 00 27

✉ info@liftintegra.com

🌐 www.liftintegra.com



# INTEGRA

"Electrical Kits for Elevators"



## ÖZELLİK TABLOSU | SPEC. SHEET

Tip   Type		MONA400													
Özellikler Spec.	Yük Load	Asn. Hızı Elev. Speed	Kasnak Çapı Sheave Diam.	Kasnak Oluğu Sheave Groove	Akım Current	Güç Power	Hız Speed	Frekans Freq.	Tork Torque	Kutup Poles	L	L1	L2	L3	β Açısı <sup>3</sup> β Angle <sup>3</sup>
	kg	m/s	mm		A	kW	r/min	Hz	N·m		mm	mm	mm	mm	°
800-1.0	800	1.0	400	5×Φ10×15	13	5.1	95	25.3	510	32	500	130	108.5	57	
800-1.5	800	1.5		5×Φ10×15	20	7.6	143	38.1	510	32					
800-1.6	800	1.6		5×Φ10×15	20	8.2	153	40.8	510	32					
800-1.75	800	1.75		5×Φ10×15	20	8.9	167	44.5	510	32					
800-2.0	800	2.0		5×Φ10×15	23	10.2	191	50.9	510	32					
800-2.5	800	2.5		5×Φ10×15	29	12.8	239	63.7	510	32					
1000-1.0	1000	1.0	400	5×Φ10×15	16	6.4	95	25.3	640	32	500	130	108.5	57	
1000-1.5	1000	1.5		5×Φ10×15	23	9.6	143	38.1	640	32					
1000-1.6	1000	1.6		5×Φ10×15	25	10.3	153	40.8	640	32					
1000-1.75	1000	1.75		5×Φ10×15	25	11.2	167	44.5	640	32					
1000-2.0	1000	2.0		5×Φ10×15	29	12.8	191	50.9	640	32					
1000-2.5	1000	2.5		6×Φ10×15	36	16.0	239	63.7	640	32					
1150-1.0	1150	1.0	400	6×Φ10×15	18	7.3	95	25.3	730	32	516	130	116.5	57	
1150-1.5	1150	1.5		6×Φ10×15	29	10.9	143	38.1	730	32					
1150-1.6	1150	1.6		6×Φ10×15	29	11.7	153	40.8	730	32					
1150-1.75	1150	1.75		6×Φ10×15	29	12.8	167	44.5	730	32					
1150-2.0	1150	2.0		6×Φ10×15	33	14.6	191	50.9	730	32					
1150-2.5	1150	2.5		6×Φ10×15	43	18.3	239	63.7	730	32					
1250-1.0	1250	1.0	400	7×Φ10×15	20	8.0	95	25.3	800	32	680	205	150.5	67	95
1250-1.5	1250	1.5		7×Φ10×15	30	12.0	143	38.1	800	32					
1250-1.6	1250	1.6		7×Φ10×15	30	12.8	153	40.8	800	32					
1250-1.75	1250	1.75		7×Φ10×15	30	14.0	167	44.5	800	32					
1250-2.0	1250	2.0		7×Φ10×15	36	16.0	191	50.9	800	32					
1250-2.5	1250	2.5		7×Φ10×15	46	20.0	239	63.7	800	32					
1350-1.0	1350	1.0	400	7×Φ10×15	21	8.6	95	25.3	860	32	680	205	150.5	67	
1350-1.5	1350	1.5		7×Φ10×15	30	12.9	143	38.1	860	32					
1350-1.6	1350	1.6		7×Φ10×15	34	13.8	153	40.8	860	32					
1350-1.75	1350	1.75		7×Φ10×15	34	15.0	167	44.5	860	32					
1350-2.0	1350	2.0		7×Φ10×15	39	17.2	191	50.9	860	32					
1350-2.5	1350	2.5		7×Φ10×15	50	21.5	239	63.7	860	32					
1600-1.0A	1600	1.0	400	7×Φ10×15	25	10.3	95	25.3	1040	32	680	205	150.5	67	
1600-1.5A	1600	1.5		8×Φ10×15	35	15.6	143	38.1	1040	32					
1600-1.6A	1600	1.6		8×Φ10×15	41	16.7	153	40.8	1040	32					
1600-1.75A	1600	1.75		8×Φ10×15	41	18.2	167	44.5	1040	32					
1600-2.0A	1600	2.0		8×Φ10×15	47	20.8	191	50.9	1040	32					
1600-2.5A	1600	2.5		8×Φ10×15	60	26.0	239	63.7	1040	32					
1600-1.0B	1600	1.0	450	7×Φ10×15	25	10.4	85	22.7	1170	32	680	205	150.5	67	
1600-1.5B	1600	1.5		8×Φ10×15	35	15.6	127	33.9	1170	32					
1600-1.6B	1600	1.6		8×Φ10×15	41	16.7	136	36.3	1170	32					
1600-1.75B	1600	1.75		8×Φ10×15	41	18.3	149	39.7	1170	32					
1600-2.0B	1600	2.0		8×Φ10×15	48	20.8	170	45.3	1170	32					
1600-2.5B	1600	2.5		8×Φ10×15	58	26.0	212	56.5	1170	32					

• Notlar | Notes:

1) Makine, makine dairesiz kullanım için de uygundur. | The machine can also be used for machine roomless.

2) Alt kesim açısı önerilen bir değerdir ve pratik koşullara göre isteğe bağlıdır. | The undercut angle is recommended value and it's optional according to practical condition.

İNTEGRA ASANSÖR SAN. VE TİC. LTD. ŞTİ.

Şerifali Mh. Beyit Sk. No:60 - 34775 Ümraniye / İSTANBUL

+90 216 415 00 27

info@liftintegra.com

www.liftintegra.com